

Nursery Drawings Available From the Missoula Technology and Development Center

Dick Hallman

*Program leader, USDA Forest Service, Missoula Technology and Development Center
Ft. Missoula, Montana*

Engineering drawings for 53 various types of nursery equipment that have been developed or improved by Forest Service nurseries in recent years are available. Tree Planters' Notes 45(1):17-20;1994.

For over 30 years the Missoula Technology and Development Center (MTDC) has provided technical support to Forest Service nurseries. The Center has worked on development projects that provided improved equipment, materials, and techniques for cone processing, sowing, lifting, and cultivating. By working closely with Forest Service nursery personnel, MTDC has contributed to the improved efficiency and safety of these operations. In addition to development projects, the Center's Nursery Technical Services Program furnishes engineering consultation support to all nurseries. Under this project MTDC prepares engineering drawings for equipment that has been custom-designed by nursery personnel. All these drawings and the drawings developed from MTDC nursery projects are available in both reduced size and in full 36- x 24inch construction drawings to **all readers** of *Tree Planters' Notes*. Sample drawings are shown (figures 1-4). To order any of these drawings, contact Dick Hallman, Program Leader, Missoula Technology and Development Center, Building 1, Fort Missoula, Missoula, MT 59801 (telephone, 406-3293946; DG, R.Hallman:ROIA).

Nursery Drawings

Coeur d'Alene Nursery, Coeur d'Alene, Idaho.

- CDN-1 Nursery Path Cultivator (figure 1)
- CDN-2 Box Storage Rack and Conveyor
- CDN-3 Dewinger
- CDN-4 Sander
- CDN-5 Watering Boom
- CDN-6 Container Washer
- CDN-7 CDN Vertical Root Pruner
- CDN-8 Cone Tumbler
- CDN-9 Plastic Tarp Roller

Lucky Peak Nursery, Boise, Idaho.

- LPN-1 Seed Packing Carousel
- LPN-2 Seedling Storage and Hauling Trailer
- LPN-3 Tractor Mounted Irrigation Pipe Hauling Rack
- LPN-4 Seedling Hauling Trailer Field Type
- LPN-5 Root Cut Off Saw
- LPN-6 Vertical Root Pruner
- LPN-7 Root Growth Potential System

Wind River Nursery, Carson, Washington.

- WRN-1 Seed Rack
- WRN-2 Shade Green
- WRN-3 Pruning Saw Guard Arm

Saratoga Tree Nursery, Saratoga Springs, New York.

- STN-1 Evans Weeding Cart

W. W. Ashe Nursery, Brooklyn, Mississippi.

- WWA-1 Mulch Spreader (figure 2)
- WWA-2 Tarp Roller

Southwestern Region, Albuquerque, New Mexico.

- SWR-1 1&3 Hectoliter Boxes

Mt. Sopris Nursery, Carbondale, Colorado.

- MSN-1 Container Filler

Humbolt Nursery, McKinleyville, California.

- HN-1 Tub Washer
- HN-2 Bag Washer
- HN-3 Plastic Tarp Roller

Southern Forest Experiment Station, Stoneville, Mississippi.

- SFES-1 Herbicide Applicator
- SFES-2 Ultimate Stoneville Applicator

Hammer Mill Paper Co., Selma, Alabama.

- HPC-1 Seedling Top Pruner

J. Herbert Stone Nursery, Central Point, Oregon.

- JHSN-1 Mulch Spreader

**Missoula Technology and Development Center,
Missoula, Montana.**

MEDS 303 Cone Inspection Table

427 Nursery Cultivator NC-5&6

517 Horizontal Root Pruner

6067 MEDC Tree Seed Dewinger M1977

684 Synchronous Thinner

687 Manual Seedling Thinner

695 Mycorrhizae Applicator

748 MEDC Tree Seed Dewinger M1984 (figure 3)

785 Progeny Seeder Model 1

795 MEDC Stake Driver

796 Root Mist Chamber

800 Seedling Counter PC Board

818 Seedling Counter

841 Sandia Cone Cutter

842 Isozyme Lab Tray

848 Pollen Applicator

849 Isozyme Accessories

850 Seedling Box Lifter (Side Mounted) (figure 4)

851 Orchard Seed Harvester R8

856 Pollen Collector Head (pattern)

858 Progeny Seeder

865 110-Volt AC Field Storage Unit

866 Isozyme Lab Gel Slicer

876 Cyclone Pollen Collector Model 1

893 Vial Pollinator

901 Root Pruner

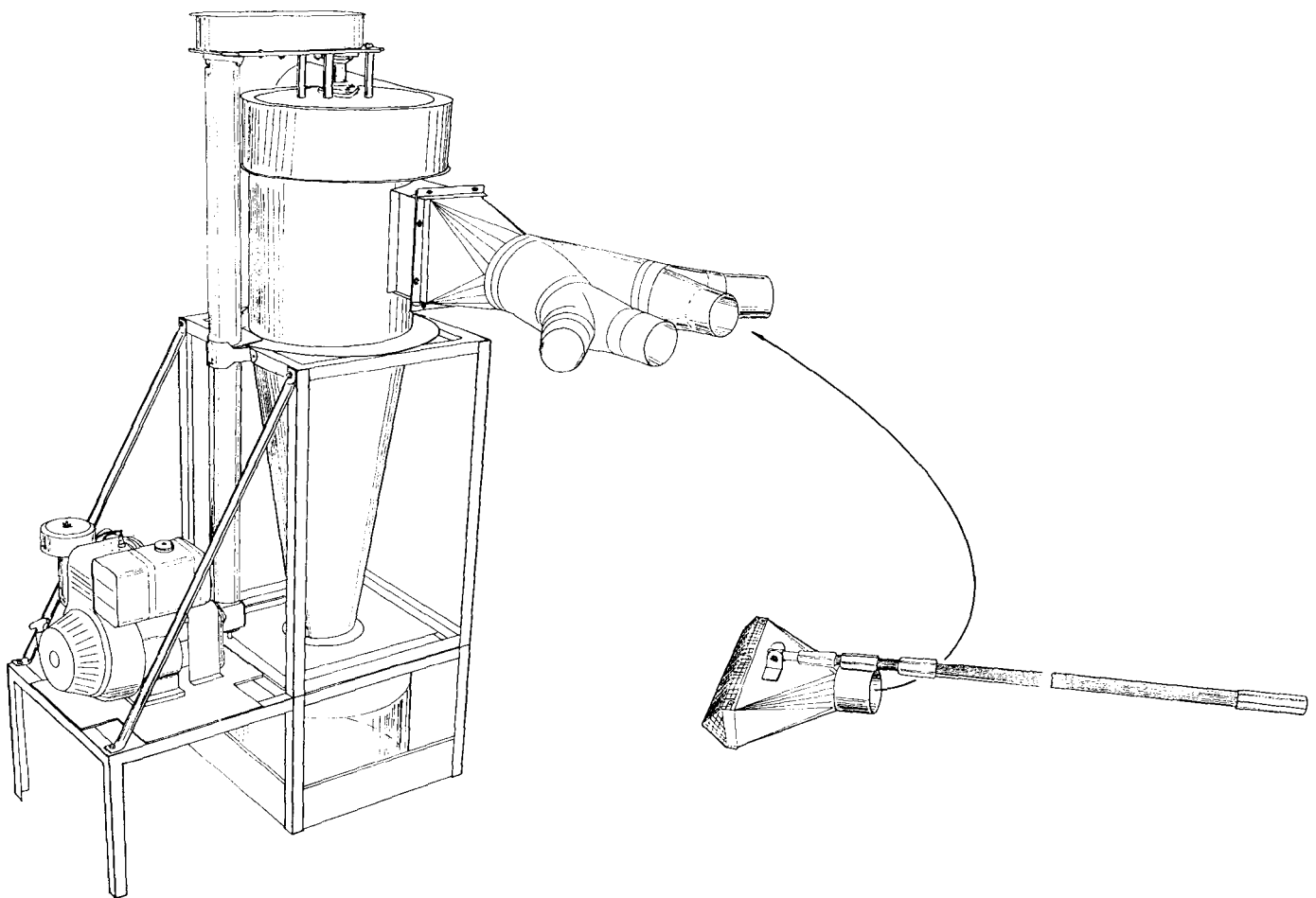


Figure 3—MEDC tree seed dewinger (M 1984).

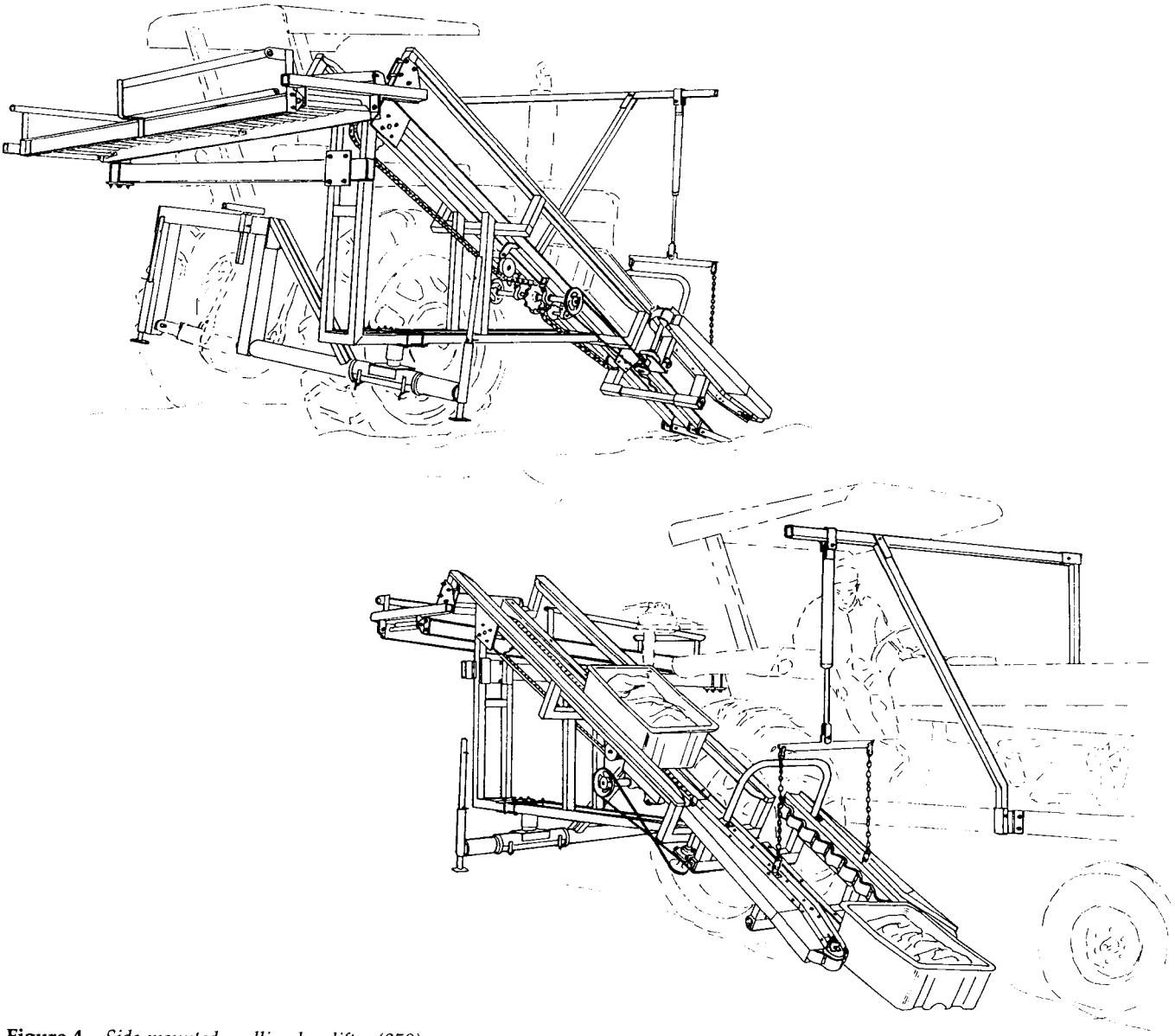


Figure 4—*Side-mounted seedling box lifter (850).*